

Rocker Switch (RS3-5 (X) Series)

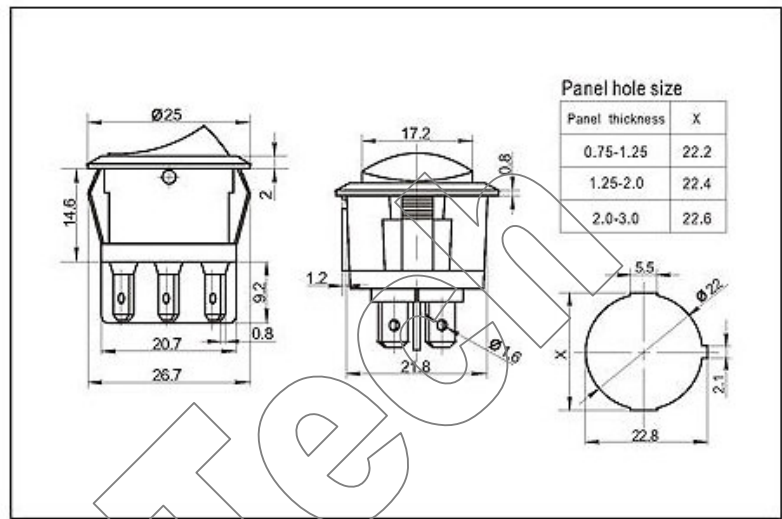


SPECIFICATIONS

(G): 6 (2) A 250VAC T125/55 1E4
10A 125VAC
(H): 12 (8) A 250VAC T85/55 1E4
15A 125VAC / 10A 250VAC 1/3HP 125-25VAC



ROHS Compliance



EXPLANATION MODEL NUMBER

RS3-5(X)-21/N-G-0-RE/BK-P4-0 ... (2)

